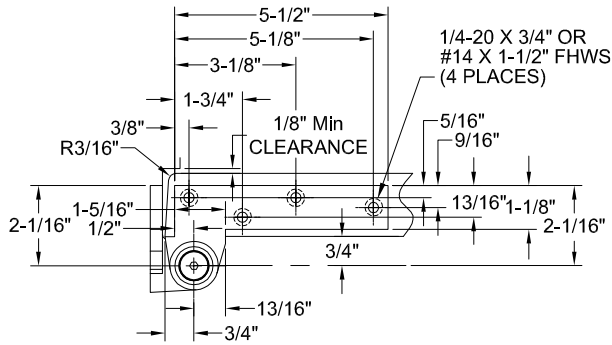
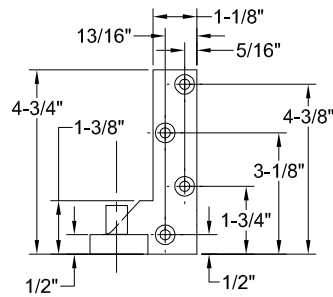
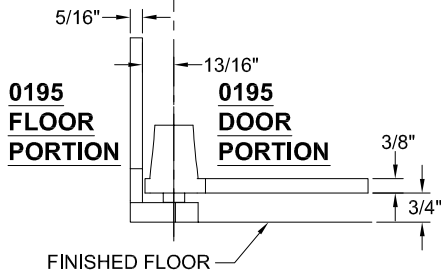


0195 PIVOT SET, 3/4" OFFSET, HANDED

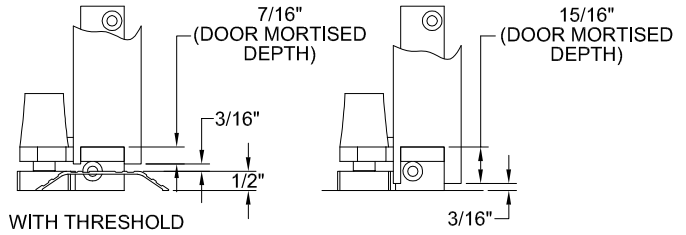
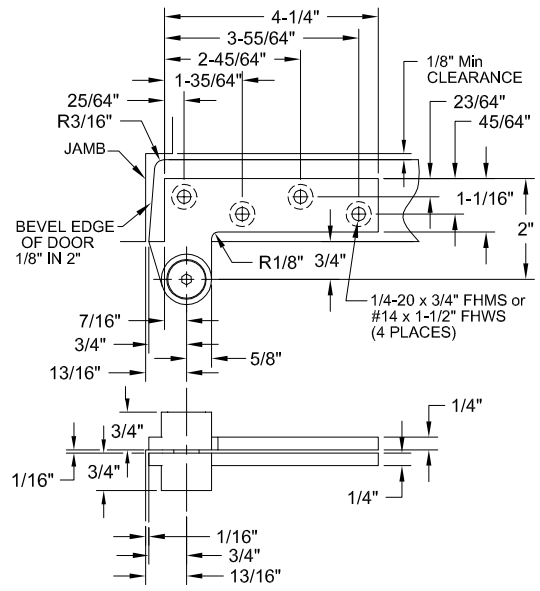
0195 BOTTOM PIVOT



- NOTES:
 1. PIVOTS DRILLED FOR 1/4-20 FHMS OR #14 FHWS.
 2. REINFORCING BY OTHERS.
 3. IT IS THE DOOR AND FRAME MANUFACTURERS RESPONSIBILITY TO CHECK THE HARDWARE SCHEDULE AND PREP THE DOORS AND FRAMES.
 4. MAXIMUM DEGREE OF OPENING, 180°, TRIM PERMITTING.
 5. RIGHT HANDED SHOWN.

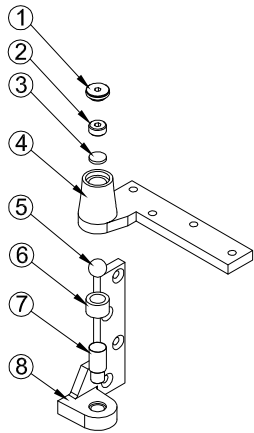
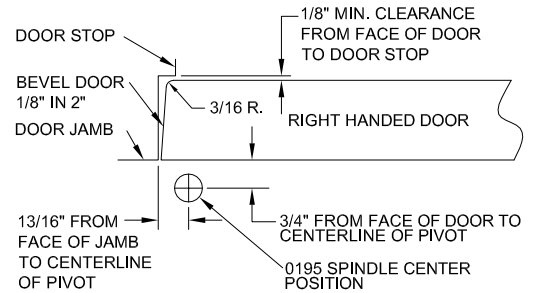


0180 TOP PIVOT

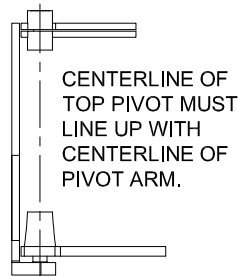


INSTALLATION INSTRUCTIONS

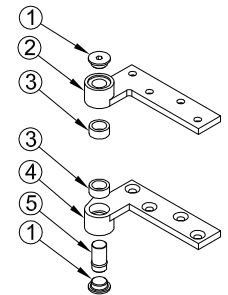
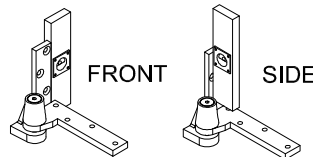
- MEASURE 13/16" OUT FROM DOOR JAMB.
- ALLOW 1/8" MIN CLEARANCE FROM DOOR STOP TO DOOR FACE. MEASURE DOOR THICKNESS AND ADD 3/4".
- WHERE THESE LINES INTERSECT DETERMINES THE CENTERLINE OF THE PIVOT POINT.
- 0195 FLOOR PORTION MUST BE INSTALLED COMPLETELY LEVEL IN BOTH DIRECTIONS PER ILLUSTRATION.
- INSTALL 0180 DOOR PORTION PER TEMPLATE.
- INSTALL 0180 JAMB PORTION PER TEMPLATE.
- INSTALL 0195 DOOR PORTION PER TEMPLATE.
- IF 019 INTERMEDIATE PIVOT IS USED, SEE SEPARATE TEMPLATE.
- SET DOOR ON 0195 BOTTOM PIVOT JAMB PORTION.
- PUSH 0180 PIVOT PIN IN PLACE AND SECURELY TIGHTEN 0180 END CAP.



ITEM NO.	QTY.	PART NO.
1	1	0195 END CAP
2	1	0195 SET SCREW
3	1	0195 ADJUSTMENT LOCKING DISC
4	1	0195 DOOR PORTION
5	1	0195 ALIGNMENT BALL
6	1	0195 NEEDLE BEARING
7	1	0195 PIVOT SPINDLE
8	1	0195 FLOOR PORTION



LEVEL EACH WAY



ITEM NO.	QTY.	PART NO.
1	2	0180 END CAP
2	1	0180 JAMB PORTION
3	2	0180 NEEDLE BEARING
4	1	0180 DOOR PORTION
5	1	0180 PIVOT PIN



www.abhmfg.com
 E-mail: abhinfo@abhmfg.com
 Architectural Builders Hardware Mfg., Inc.
 1222 Ardmore Ave., Itasca, IL 60143
 630.875.9900; FAX 800.9FAXABH (932.9224)

© 2015 ABH Mfg., Inc.
 printed in USA

0195-02.DWG

0195

PAGE 1 OF 1

REVISED 04-21-15